



ITEM #: _____ QTY: _____
 MODEL #: _____
 PROJECT NAME: _____

012420

3601 S. Banker St. Effingham, IL 62401 • P.O. BOX 609 • Ph: (888) 431-2667 • Fax: (800) 433-2667

"PBMS" PRO-BOWL MOP SINKS - STAINLESS STEEL 16GA
FLOOR MOUNTED W/ HEAVY DUTY FLAT DRAIN



FEATURES:

- FLOOR MOUNTED UNIT ELIMINATES THE NEED OF LIFTING HEAVY CONTAINERS
- TILE EDGE ON REAR OF SINK
- MARINE EDGE ALL AROUND
- RECTANGULAR BOWL FOR INCREASED CAPACITY WITH LARGE 3/4" RADIUSED CORNERS
- STAINLESS STEEL APRON ON FRONT AND SIDES FOR EASE OF CLEANING



PBMS-2016-6

CONSTRUCTION:

- ALL TIG WELDED, EXPOSED WELDS ARE POLISHED TO MATCH ADJACENT SURFACE
- BOTTOM OF BOWLS FORMED FOR DRAINAGE TO 3-1/2" DIAMETER DIE STAMPED OPENING
- 3-1/2" DRAIN ACCEPTS 2" MALE DRAIN PIPE



PBMS-2820-12

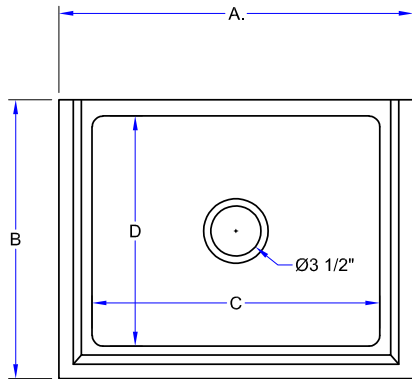
MATERIAL:

- 16 GAUGE TYPE 300 STAINLESS STEEL

PRO-BOWL MOP SINKS - STAINLESS STEEL 16GA

| MODEL # | QTY |
|-------------|-----|
| PBMS2016-6 | |
| PBMS2016-12 | |
| PBMS2424-6 | |
| PBMS2424-12 | |
| PBMS2820-6 | |
| PBMS2820-12 | |

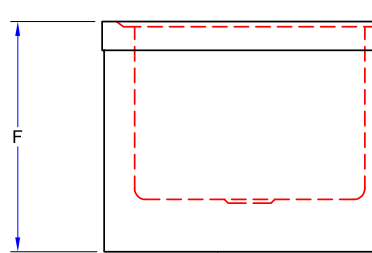
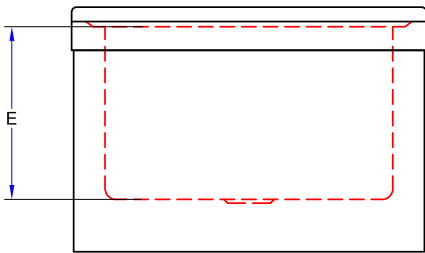
DETAILED SPECIFICATIONS



MARINE EDGE

DIMENSIONS

| MODEL | A | B | C | D | E | F |
|-------------|---------|---------|-----|-----|-----|-----|
| PBMS2016-6 | 24-5/8" | 19-3/8" | 20" | 16" | 6" | 10" |
| PBMS2016-12 | 24-5/8" | 19-3/8" | 20" | 16" | 12" | 16" |
| PBMS2424-6 | 28-5/8" | 27-3/8" | 24" | 24" | 6" | 10" |
| PBMS2424-12 | 28-5/8" | 27-3/8" | 24" | 24" | 12" | 16" |
| PBMS2820-6 | 32-5/8" | 23-1/8" | 28" | 20" | 6" | 10" |
| PBMS2820-12 | 32-5/8" | 23-1/8" | 28" | 20" | 12" | 16" |



3 SIDED SKIRT OPEN IN BACK.
1" FLANGE ON BOTTOM.

ECONOMY MOP SINKS - STAINLESS STEEL 16GA

| MODEL # | DRAIN SIZE | WATER LEVEL | BOWL SIZE | DIMENSIONS (L X W) | WT. (LBS) |
|-------------|------------|-------------|-----------|--------------------|-----------|
| PBMS2016-6 | 3-1/2" | 6" | 20" X 16" | 24-5/8" X 19-3/8" | 35 |
| PBMS2016-12 | 3-1/2" | 12" | 20" X 16" | 24-5/8" X 19-3/8" | 45 |
| PBMS2424-6 | 3-1/2" | 6" | 24" X 24" | 28-5/8" X 27-3/8" | 40 |
| PBMS2424-12 | 3-1/2" | 12" | 24" X 24" | 28-5/8" X 27-3/8" | 70 |
| PBMS2820-6 | 3-1/2" | 6" | 28" X 20" | 32-5/8" X 23-1/8" | 50 |
| PBMS2820-12 | 3-1/2" | 12" | 28" X 20" | 32-5/8" X 23-1/8" | 70 |

SOME UNITS SHIP UNASSEMBLED FOR REDUCED SHIPPING COST. ALL DIMENSIONS ARE TYPICAL. TOLERANCE +/- .500"

John Boos & Co. is constantly engaged in a program of improving products and therefore reserves the right to change specifications without prior notice.



Boos
lock

AQ AutoQuotes

3601 S. Banker St. • Effingham, IL 62401 • PO BOX 609 • quotes@johnboos.com

www.johnboos.com

090319

638